

MODEL: Cabevibe-A518

USER MANUAL









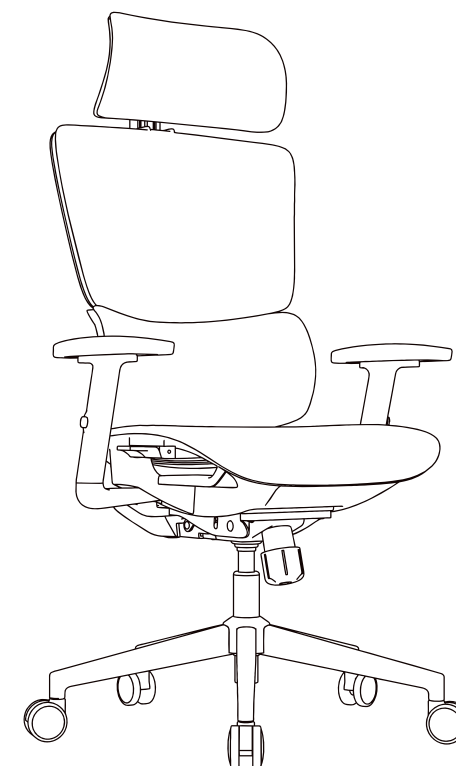
Work with Care, Live with Flair.

H. Q

Happydewelling LLC
556 N Diamond Bar Blvd Suite 213 Diamond Bar, CA 91765

Subscribe

-  www.cbevibe.com
-  @Cbevibe
-  @Cbevibe
-  Cbevibe
-  @Cbevibe
-  Cbevibe



Website



Tiktok



Instagram



Facebook

MADE IN P.R.C.



Scan to contact

Dear Valued Customer,

Thank you for choosing the Cabevibe A518 to enhance your workspace and bring comfort into your daily life.

At Cabevibe, we believe that a truly great work experience is one that not only boosts productivity but also supports your well-being. With every product, we're committed to helping you work with care and live with flair.

To ensure your peace of mind, we offer a comprehensive three-year warranty on all our products, backed by our 24/7 customer support team who are always ready to assist you.

Contact us at: www.cabevibe.com/support@cabevibe.com

Quick Tip: To help us serve you faster, please include your order number when reaching out.

Thank you for trusting us to be part of your journey. Together, let's create a workspace that inspires comfort, health, and success.

Warm regards,
The Cabevibe Team

Work with care, live with flair—because every moment of comfort builds the foundation for a more inspired life.

cabevibe

ABOUT US



Cabevibe is a specialist in ergonomic office furniture, committed to transforming modern workspaces through health-focused design and innovation. Backed by a team of ergonomic experts and industry insights, our products are crafted to reduce fatigue, improve posture, and inspire productivity.

From adjustable chairs with posture reminders to adaptable desks, each solution reflects our passion for blending comfort, flexibility, and style. At Cabevibe, we help you work smarter and live better — because health is the foundation of success.

CAUTION!

Work on gas springs only
by trained specialist
personnel.



CONTENTS

- 1. Instructions on Safe Use ----- P02
- 2. Assembly Parts ----- P03—P04
- 3. Assembly Instructions ----- P05—P07
- 4. Function Instructions ----- P08—P10
- 5. Product Specifications and Information ----- P11—P12
- 6. Customer Service Information ----- P13—P15
- 7. Product Warranty ----- P16

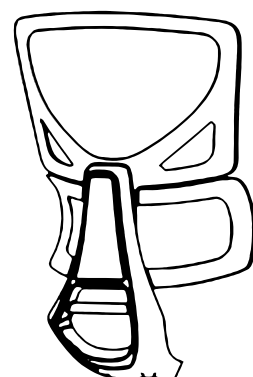


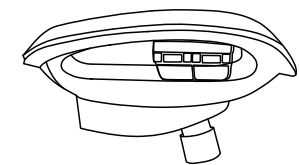
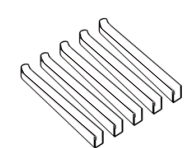
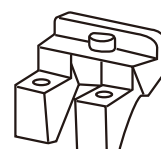

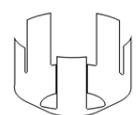
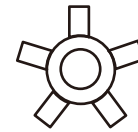






Instructions on Safe Use

1. The chair safely supports one person; avoid exceeding the weight limit.
2. Use only on flat surfaces for stability.
3. Children under 5 should be supervised.
4. Avoid sitting or leaning heavily on armrests.
5. Do not stand, climb, or use the chair as a ladder.
6. Do not overload or use as a trolley.
7. Keep away from sharp objects, flames, and heat sources.
8. Do not disassemble the gas lift mechanism.

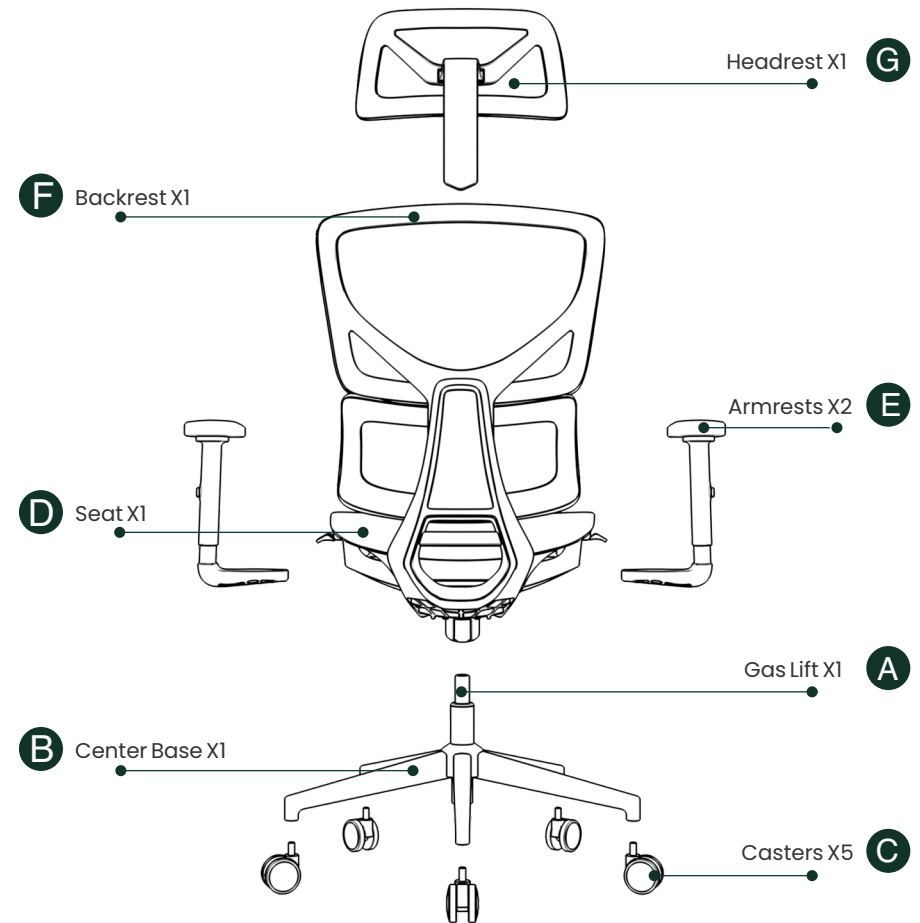


Height	6'2"	Seat Depth	18.89" - 20.89"
Weight	350lbs	Armrest	11.6" - 14.5"
From cushion to ground			19.48" - 23.38"

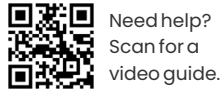
Assembly Parts

(F) Backrest X1 		(G) Headrest X1 		
(E) Armrests X2 		(D) Seat X1 		(M) Leg Tubes X1 
(O) Block X1 	(A) Gas Lift X1 	(N) Decorative cover X1 	(B) Center Base X1 	
(C) Casters X5 	(I) X5  M8*30 Screws (for Backrest)	(J) X7  M6*30 Screws (for Armrest)	(K) X2  M6*25 Screws (for Headrest)	(L) X6  M6*15 Screws (for Center Base)
(H) X1  Allen Wrench				

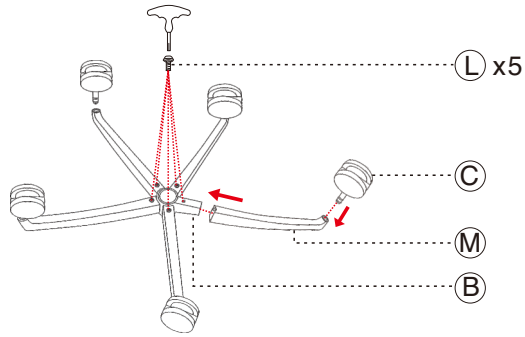
Chair Components Overview



Assembly Instructions



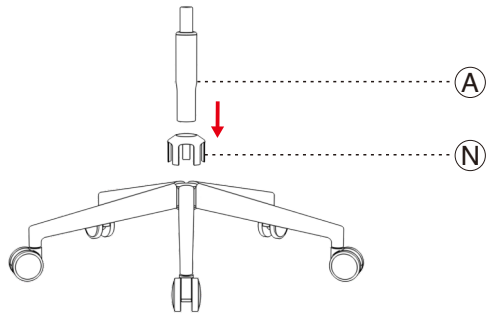
Step 1



Assemble the Base.

Insert the Leg Tubes (M) into the Base (B), secure with 5 M6*15 Screws (L), Push the Casters (C) into the Leg Tubes (M).

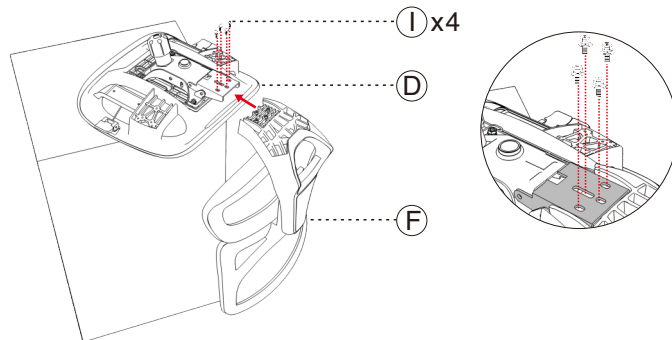
Step 2



Attach Casters and Gas Lift.

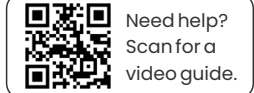
Cover with the Decorative Cover (N) and insert the Gas Lift (A) into the Center Base.

Step 3

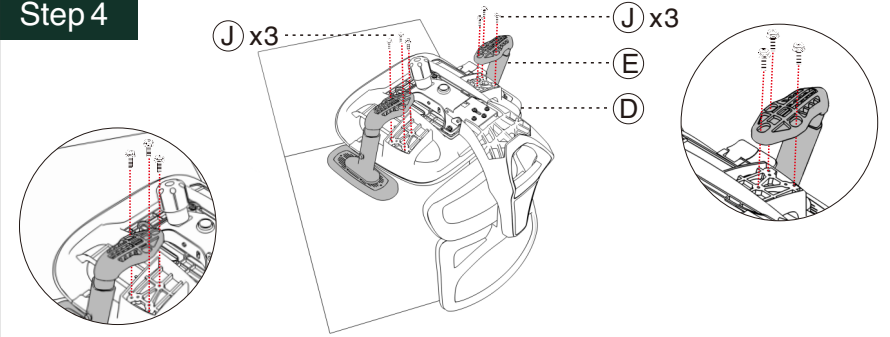


Install the Backrest.

Align the Backrest (F) with the Seat (D) and secure it using 4 M8*30 Screws (I).



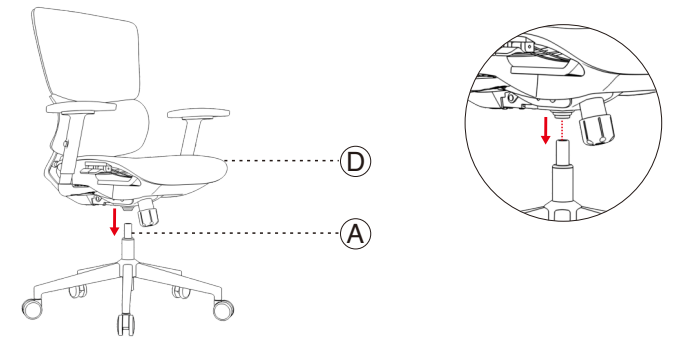
Step 4



Attach the Armrests.

Fix the Armrests (E) to the Seat (D) using 6 M6*30 Screws (J).

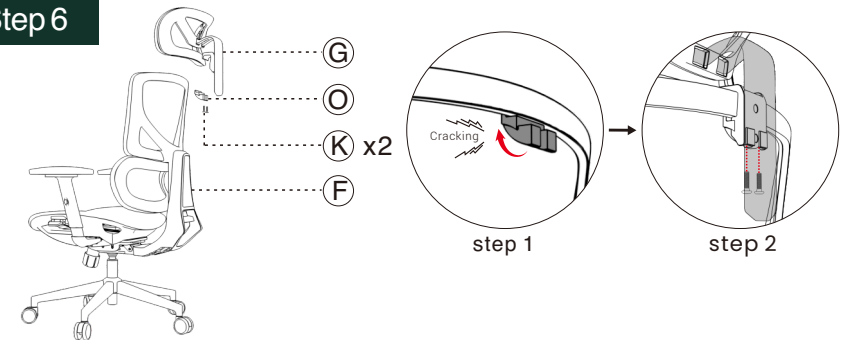
Step 5



Place the Seat on the Base.

Gently place the Seat (D) onto the Gas Lift (A) until it clicks into place.

Step 6



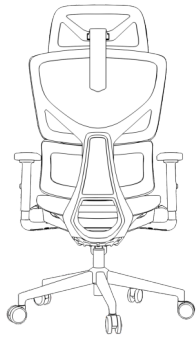
Attach the Headrest.

Align the Block (O) with the marked position, rotate the Headrest (G) into position, and fully tighten the 2 M6*25 Screws (K) until it clicks into place.

Assembly Instructions



Step 7



Finish and Final Check.
Ensure all parts are securely tightened and enjoy your new chair!

- A** Gas Lift
- B** Center Base
- C** Casters
- D** Seat
- E** Armrests
- F** Backrest
- G** Headrest

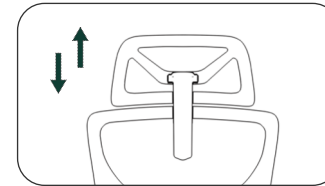


Sit comfortably, stay productive, and thank you for choosing us!

Function Instructions

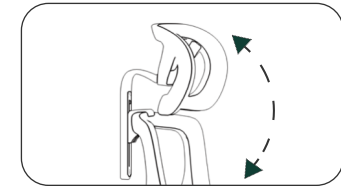


1D Height Vertical adjustment



Holding both sides of headrest and pushing headrest up or down to adjust the height

2D Angle adjustment



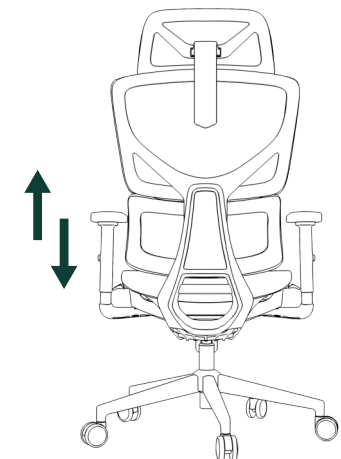
Holding two sides of the headrest and rotating forward or backward to adjust the angle

Back Lifting Adjustment

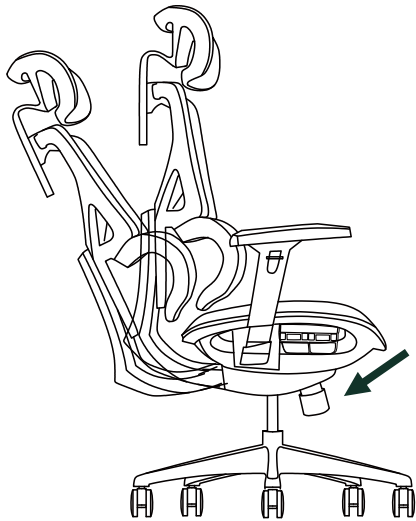
The entire backrest can be adjusted upward or downward. Hold the two sides of the backrest to slowly adjust it to find the best lumbar position for yourself. There are four positions to lock in place.

⚠ Attention:

To adjust it more easily and safely, please adjust the backrest upward or downward from the default position.



Function Instructions



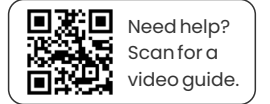
Back Tilt Tension

Loosen: Rotate the adjustment lever counter clockwise to decrease backrest tension.

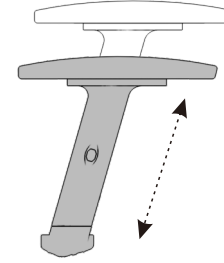


Tighten: Rotate the adjustment button clockwise to increase backrest tension.

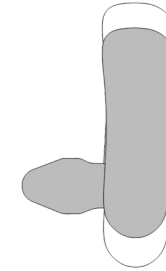
Function Instructions



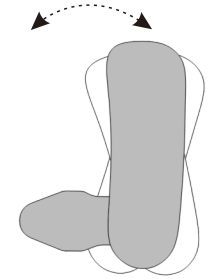
Height Adjustment



Forward & Backward



45° Rotational Adjustment



Dynamic Lumbar Auto-Tracking System

Provides continuous and automatic lumbar support as you adjust your sitting posture. Designed to support your lumbar and sacrum area, ensuring maximum comfort in any sitting position.



Sitting Upright

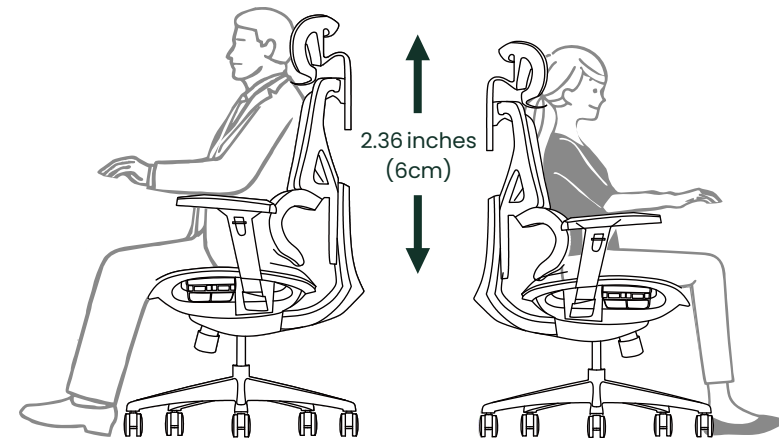


Reclined Position



Forward Lean

Optimized Instructions for Back and Waist Support



Custom Fit:

The backrest height adjusts up to 2.36 inches (6 cm), accommodating users between 5'3" (160 cm) and 6'2" (188 cm). Customized lumbar and backrest adjustments ensure optimal comfort for various heights and body types.

FAQs

Q1: How much weight can the chair support?

Answer: The chair supports up to 350 lbs (158 kg). For optimal comfort, it is recommended for individuals weighing under 300 lbs (136 kg).

Tip: If you experience any discomfort or need assistance, please contact us at support@cabevibe.com

Q2: How to clean the mesh office chair?

Use a vacuum cleaner weekly to remove dust and dirt.

For deep cleaning, mix warm water with a mild detergent and use a soft brush. Avoid scrubbing too hard to protect the mesh.

To tackle stubborn dirt, apply a cleaning solution and let it sit for 30 minutes. Then, wipe clean with a damp cloth.

Q3: How to clean the chair wheels?

To clean the chair wheels, start by removing them either by hand or with a screwdriver. Next, use a spray cleaner to eliminate dirt and debris, and make sure to dry all the parts thoroughly.

Finally, apply a greaseless lubricant to ensure smooth operation.

Q4: What to do if the chair makes noise when moving?

If your chair makes noise when moving, first check that all bolts are properly tightened. If necessary, apply a small amount of silicone-based lubricant to the moving parts.

Q5: How to adjust the chair height properly?

Standing up, lifting the lift button on the right side to raise the chair. Release the lift button to lock the height. Sitting on the chair, lifting the same lift button to lower the chair.

Ensure that your feet are firmly planted on the floor and your knees are at a 90-degree angle for ergonomics. Release the button to lock the height.

Q6: How to replace the gas lift cylinder?

Remove the chair base by loosening the screws. Gently tap the old gas lift out with a rubber mallet, and then insert the new one.

Finally, secure all components back in place.

Quick Fixes for Assembly Issues

	Problem	Reason	How to Fix It?
1	Abnormal noise	Loose or untightened bolts	Retighten all bolts.
2	Crooked backrest/ armrest	Misaligned components during assembly	Loosen bolts, realign components, and retighten.
3	Seat cannot be raised	Lift valve closed or weight on chair	Open the lift valve; do not sit while adjusting.
4	Seat cannot be lowered	Lift valve closed or improper sitting	Open the lift valve; sit in the center of chair.
5	Chair not rocking	Tilt function locked	Pull down the adjustment button
6	Strong rocking tension	Rocking spring too tight	Turn the tilt tension lever clockwise.
7	Weak rocking tension	Rocking spring too loose	Turn the tilt tension lever counterclockwise.

Warranty Policy

1. Warranty Coverage

Free replacement parts for chair components, including the backrest, seat cushion, gas lift cylinder, and wheels due to manufacturing defects under normal use. Consumable tools (e.g., Allen wrench) are not covered.

Warrant Period: 3 year from the date of purchase, verified by proof of purchase. The coverage applies only to manufacturing defects and damage occurring under normal usage conditions.

Warrant Period: 3 year from the date of purchase, verified by proof of purchase. The coverage applies only to manufacturing defects and damage occurring under normal usage conditions.

2. Warranty Conditions

The warranty is valid only if:

- The product is assembled and used according to the provided instructions.
- No unauthorized modifications, repairs, or disassembly have been performed.
- The product was purchased through official channels, such as Cabevibe's official website or authorized retailers.
- Proof of purchase (Order number or electronic receipt) is provided.

3. Warranty Exclusions

The warranty does not cover:

- Failure to provide proof of damage (original photos or video required).
- Damage caused by improper use (e.g., sitting on the armrest, single-leg balancing).
- Unauthorized third-party modifications, disassembly, or repairs.
- Damage caused by extreme environmental conditions (e.g., humidity, excessive heat) or natural disasters.
- Normal wear and tear (e.g., cushion compression, surface scratches).

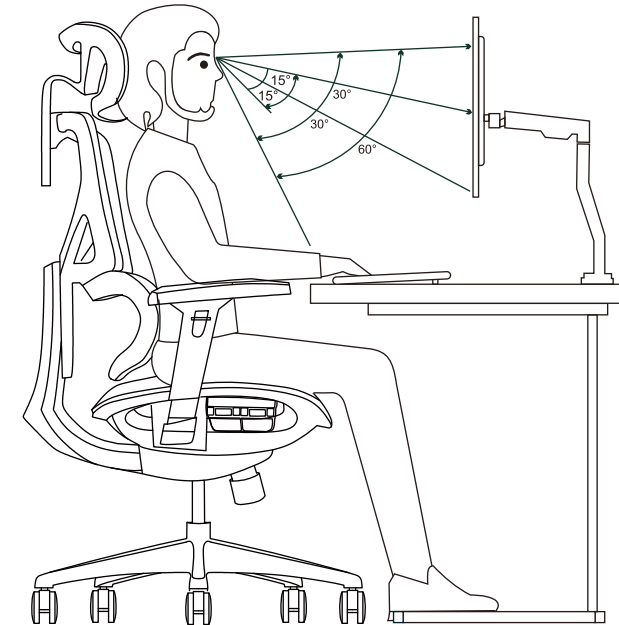
4. Claim Process

To file a warranty claim:

- Contact us at support@cabevibe.com.
- Provide your order number, purchase date, clear photos/videos of the damaged part.
- Our support team will respond within 48 hours.
- If the claim is approved, we will send replacement parts or suggest a suitable solution.

Ergonomic Sitting Guide

Stay comfortable, stay productive—CabeVibe Chairs, designed for you.



1. Monitor Position

Keep your screen an arm's length away.
Adjust height so your eyes align with the top third of the screen.

2. Wrist and Elbow Alignment

Keep wrists straight and hands at or slightly below elbow level.

3. Chair Height

Adjust seat height so your knees align with your hips.

4. Body Position

Sit back fully in the chair and slightly recline to maintain a natural spinal posture.

Important Safety Guidelines



Attention

Ignoring these safety instructions may cause injury or property damage.



Avoid Heat and Humidity

Do not use or store this product in high temperature, high humidity, or under direct sunlight for extended periods.



No Unauthorized Repairs

Do not repair, modify, or disassemble the product unless following the manual instructions. Improper actions may cause malfunctions.



Not for Infants

This product is not suitable for infants under the age of 6 years.



No Sitting on Armrests

Never sit or apply weight on the armrests to prevent damage or injury.

Copyright & Legal Notice

- Cabevibe holds the copyright of this manual.
- Unauthorized reproduction or distribution is strictly prohibited.
- Product specifications and design are subject to change without notice to ensure continuous improvement.
- Cabevibe is a registered trademark in the USA, Europe, and Japan.

Weight Limit Warning: Do not exceed the maximum weight capacity of 350 lbs (158 kg).

Proper Usage Guidance: This chair is designed for indoor use only.



Facing a Quality Issue? We're Here to Help!

Contact Us

If you encounter any product issues, please:

1. Send us an email at support@cabevibe.com.
2. Provide:
 - Order Number.
 - Pictures of the issue for quick verification.

Our Commitment

- Free replacement parts.
- A new chair or a full refund based on the issue.